

MIXERS



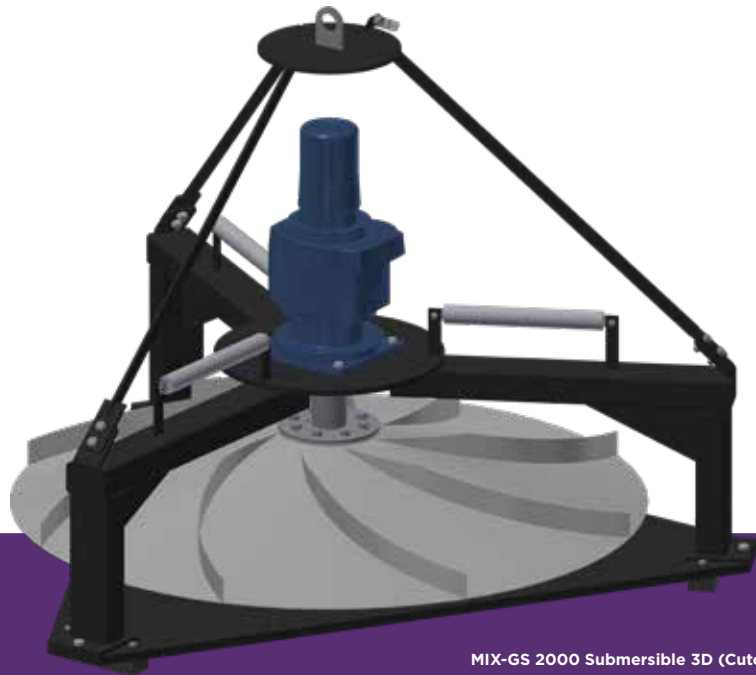
MIX-GS

LOW-SPEED BOTTOM
MIXER

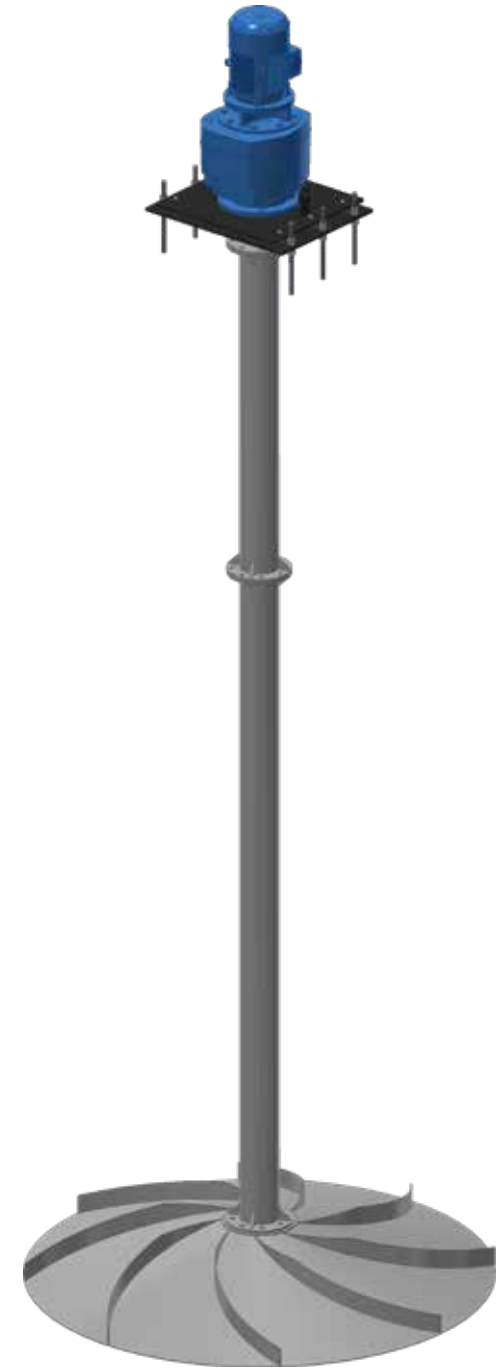


MAIN CHARACTERISTICS

Exceptional mixing performance for both low and high solids concentration solutions. Intensive, low-energy, 360 - degree mixing pattern and totally non-clogging impeller.



MIX-GS 2000 Submersible 3D (Cutout)



MIX-GS 2000 3D Cutout

ADVANTAGES

HIGH EFFICIENCY MIXING OF BASINS + TANKS

ACTIVATED-SLUDGE PROCESSES

DENITRIFICATION + SBR

ALSO IDEAL FOR DEEP TANKS + HIGH MLSS

INTENSIVE LOW ENERGY TO VOLUME MIXING

TOTALLY NON-CLOGGING DESIGN

MINIMAL NOISE OUTPUT

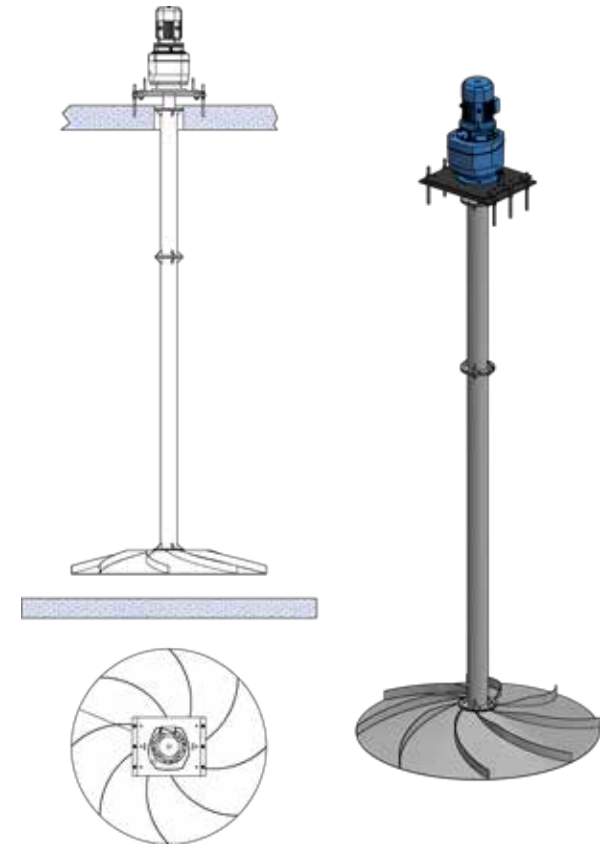
ROBUST DESIGN - LOW MAINTENANCE

COMPONENTS

- 1.1 - 30KW Drive Motors
- 10-42 rpm Geared Drive
- AISI 304/316 or special SS
- Fixed Bridge + Floor Mounted

OPTIONS

- Available as Submerged Drive or Bridge Mounted Drive with extended shaft
- Stub shaft + extended shaft options
- Vertical operation only
- One x Submerged or Surface drive
- Fixed or variable Water Levels



MIX-GS 2000 3D

A STEP AHEAD IN WATER TECHNOLOGY

sfa-enviro.com

 [@sfa_enviro](https://twitter.com/sfa_enviro)

