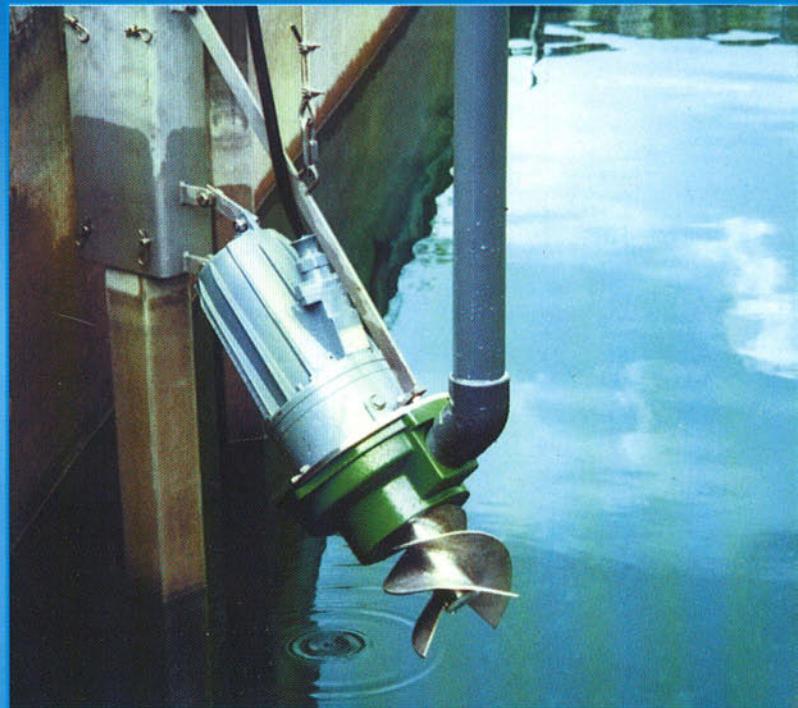




AQUASYSTEMS INTERNATIONAL NV

AQUA TURBO® SUBMERSIBLE AERATOR Series AER-SL

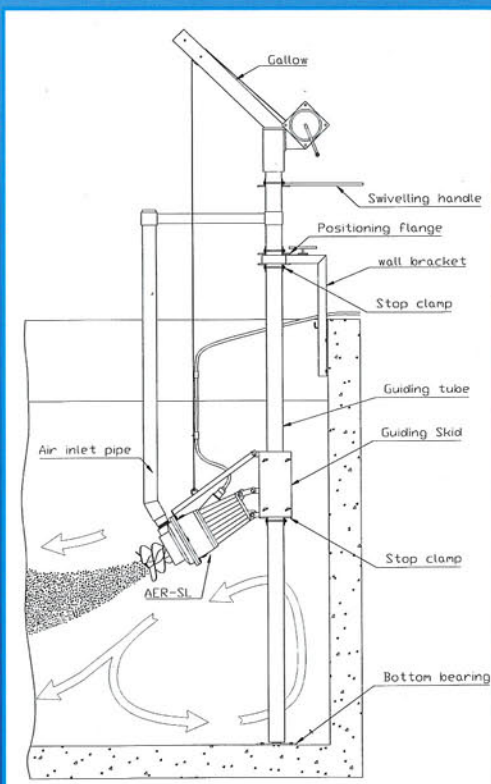
- ✓ *Submerged selfpriming aerator*
- ✓ *Equipped with the unique SCREWPELLER®*
- ✓ *Non clogging SCREWPELLER® and vacuum chamber*
- ✓ *Robust and compact design*
- ✓ *Fits with every basin geometry*
- ✓ *Standard submersible motor, available in single and dual speed*
- ✓ *Can be generated as aerator and/or mixer*
- ✓ *Combined with blower for deep tanks*



APPLICATION

The AQUA TURBO® AER-SL submersible aerator is used in different applications :

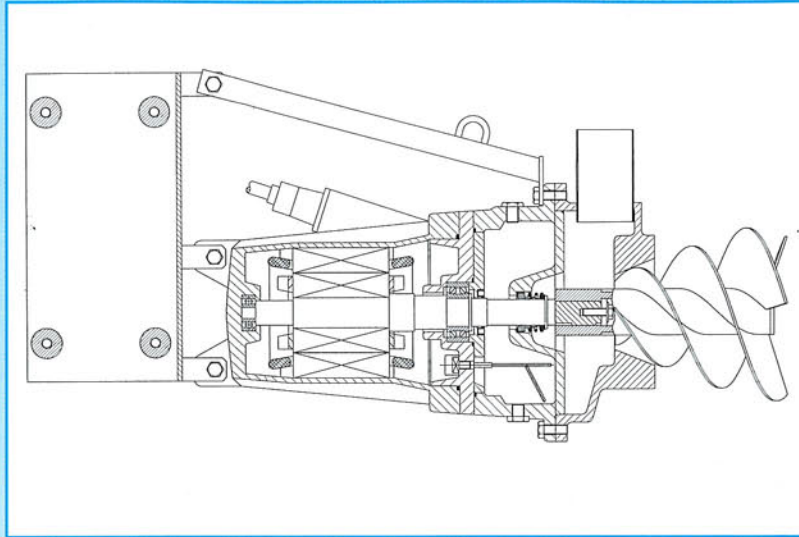
- *Farming : - Manure treatment*
- *WWTP : - Raw sewage storage tanks*
 - *SBR*
 - *Equalization basins*
 - *Contact basins*
 - *Nitrification/Denitrification*
 - *Sludge storage tanks*
 - *Sludge stabilization*
 - *Storm water tanks*
 - *Aeration of lagoons*
 - *Mixture of fluids and powders*
 - *Nutralization by means of gas introduction*



DENOMINATION

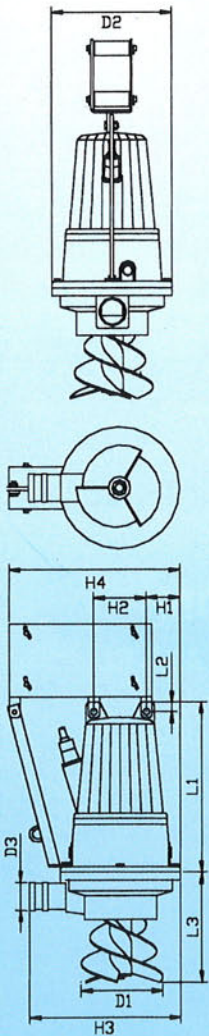
productname AQUA TURBO AER-SL 0550 - 48 - 1

- Submersible aerator
- Motor power kW x 100
- 48 = 3000 rpm (2 poles)
- 24 = 1500 rpm (4 poles)
- 48/24 = 3000/1500 rpm (dual speed)
- 1
- 2 Immersion depth in m.
- 3



MATERIALS

- Motorhousing : cast iron GG25
- Vacuum chamber : cast iron GG25
- Motor shaft : stainless steel AISI 420
- SCREWPELLER® : stainless steel AISI 304



Series 24: 1500RPM

Type AER-SL	Motor power [kW]	n [RPM]	P2 SCREWPELLER [kW] At Max. immersion depth	Max. immersion depth [m]	In [A]	IS/IN	Cable type AOTRN-F (400V)	Weight [Kg] (Without guiding skid)	L1 [mm]	L2 [mm]	L3 [mm]	D1 [mm]	D2 [mm]	D3 [mm]	H1 [mm]	H2 [mm]	H3 [mm]	H4 [mm]
0150-24-1	1.5	1390	1.43	1	4	3.6	7G1.5	52	398	18.0	183	199	280	75	89.0	102	340	
0300-24-1	3	1350	2.85	1	7.1	4	7G1.5	55	428	18.0	183	219	280	75	82.5	115	340	
0400-24-1	4	1380	3.80	1	9	4.1	10G1.5	85	428	18.0	300	229	280	75	82.5	115	340	
0400-24-2	4	1380	3.80	2	9	4.1	10G1.5	85	428	18.0	300	209	280	75	82.5	115	340	
0400-24-3	4	1380	3.80	3	9	4.1	10G1.5	85	428	18.0	300	199	280	75	82.5	115	340	
0550-24-1	5.5	1400	5.23	1	12	4	10G1.5	93	482	24	300	249	335	75	103.5	128	395	
0550-24-2	5.5	1400	5.23	2	12	4	10G1.5	93	482	24	300	239	335	75	103.5	128	395	
0550-24-3	5.5	1400	5.23	3	12	4	10G1.5	93	482	24	300	229	335	75	103.5	128	395	
0750-24-1	7.5	1410	7.13	1	18	5	10G1.5	120	627	27	322	259	335	75	92.5	150	395	
0750-24-2	7.5	1410	7.13	2	18	5	10G1.5	120	627	27	322	249	335	75	92.5	150	395	
0750-24-3	7.5	1410	7.13	3	18	5	10G1.5	120	627	27	322	239	335	75	92.5	150	395	
0900-24-1	9	1420	8.55	1	19	6	10G1.5	121	702	27	322	279	335	75	92.5	150	395	
0900-24-2	9	1420	8.55	2	19	6	10G1.5	121	702	27	322	259	335	75	92.5	150	395	
0900-24-3	9	1420	8.55	3	19	6	10G1.5	121	702	27	322	249	335	75	92.5	150	395	
1100-24-1	11	1450	10.45	1	24.5	6.2	2x10G4	172	742	28.5	352	279	410	75	97.5	215	470	
1100-24-2	11	1450	10.45	2	24.5	6.2	2x10G4	172	752	28.5	352	259	410	75	97.5	215	470	
1100-24-3	11	1450	10.45	3	24.5	6.2	2x10G4	172	742	28.5	352	249	410	75	97.5	215	470	
1500-24-1	15	1450	14.25	1	33.5	6.4	2x10G4	222	742	28.5	352	299	410	75	97.5	215	470	
1500-24-2	15	1450	14.25	2	33.5	6.4	2x10G4	222	742	28.5	352	279	410	75	97.5	215	470	
1500-24-3	15	1450	14.25	3	33.5	6.4	2x10G4	222	742	28.5	352	259	410	75	97.5	215	470	
1850-24-1	18.5	1455	17.58	1	41	6.8	2x10G4	232	867	28.5	352	309	410	75	97.5	215	470	
1850-24-2	18.5	1455	17.58	2	41	6.8	2x10G4	232	867	28.5	352	289	410	75	97.5	215	470	
1850-24-3	18.5	1455	17.58	3	41	6.8	2x10G4	232	867	28.5	352	279	410	75	97.5	215	470	

Series 48: 3000RPM

Type AER-SL	Motor power [kW]	n [RPM]	P2 SCREWPELLER [kW] At Max. immersion depth	Max. immersion depth [m]	In [A]	IS/IN	Cable type AOTRN-F (400V)	Weight [Kg] (Without guiding skid)	L1 [mm]	L2 [mm]	L3 [mm]	D1 [mm]	D2 [mm]	D3 [mm]	H1 [mm]	H2 [mm]	H3 [mm]	H4 [mm]
0150-48-1	1.5	2770	1.43	1	3.4		7G1.5	50	398	18	183	149	280	75	89.0	102	340	
0300-48-1	3	2800	2.85	1	6.6	4.6	7G1.5	54	398	18	183	149	280	75	89.0	102	340	
0400-48-1	4	2810	3.80	1	9.3	5	10G1.5	92	428	18	300	149	280	75	82.5	115	340	
0400-48-2	4	2810	3.80	2	9.3	5	10G1.5	92	428	18	300	140	280	75	82.5	115	340	
0550-48-1	5.5	2880	5.23	1	11.4	6.9	10G1.5	92	482	24	300	169	335	75	103.5	128	395	
0550-48-2	5.5	2880	5.23	2	11.4	6.9	10G1.5	92	482	24	300	140	335	75	103.5	128	395	
0750-48-1	7.5	2880	7.13	1	15.5	6.8	10G1.5	117	482	24	322	179	335	75	103.5	128	395	
0750-48-2	7.5	2880	7.13	2	15.5	6.8	10G1.5	117	482	24	322	149	335	75	103.5	128	395	
0900-48-1	9	2910	8.55	1	18		10G1.5	118	702	27	322	199	335	75	103.5	150	395	
0900-48-2	9	2910	8.55	2	18		10G1.5	118	702	27	322	169	335	75	103.5	150	395	
1100-48-1	11	2925	10.45	1	20.5	6.8	10G1.5	169	742	28.5	352	199	410	75	97.5	215	470	
1100-48-2	11	2925	10.45	2	20.5	6.8	10G1.5	169	742	28.5	352	169	410	75	97.5	215	470	
1500-48-1	15	2920	14.25	1	28	7	10G1.5	217	742	28.5	352	209	410	75	97.5	215	470	
1500-48-2	15	2920	14.25	2	28	7	10G1.5	217	742	28.5	352	179	410	75	97.5	215	470	
1850-48-1	18.5	2915	17.58	1	34	6.5	10G1.5	226	867	28.5	352	219	410	75	97.5	215	470	
1850-48-2	18.5	2915	17.58	2	34	6.5	10G1.5	226	867	28.5	352	189	410	75	97.5	215	470	

All values are indicative. Aquasystems International N.V. reserves the right to adjust these values at any time.

Headquarter

AQUASYSTEMS INTERNATIONAL n.v.

Brusselsesteenweg 508 • B-1500 Halle - Belgium
Tel.: 32 (0)2 362 02 62 • Fax: 32 (0)2 360 35 89

e-mail : asi@aquaturbo.be • <http://www.aquaturbo.be>

Subsidiary

AQUATURBO SYSTEMS Inc.

1754 Ford Avenue • Springdale AR 72764
Tel.: 501 927 1300 • Fax : 501 927 0700

e-mail : aquaturbo@worldnet.att.net • <http://www.aquaturbo.be>

AQUASYSTEMS INTERNATIONAL n.v. Sales Offices
FRANCE • UK • GERMANY • SWEDEN • ROMANIA

World-wide network of distributors and agents