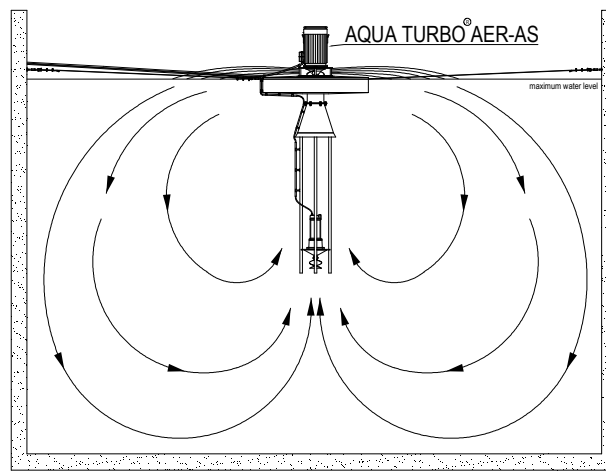


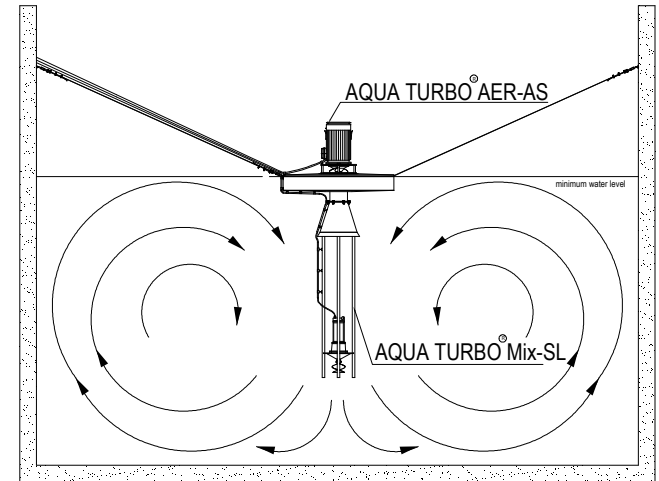
AQUA TURBO[®] AER-AS/MIX-SL COMBINED SURFACE AERATOR/MIXER



SBR-
technology



Nitrification



Denitrification

- ✓ Vertical mixer needs lower power than if it was horizontally positioned on the side of the basin
- ✓ No guiding tubes, no lifting hoists, no bridges, no gearboxes, no membranes needed
- ✓ Both impellers based on SCREWPELLER[®] -design : High efficiency, no clogging, no vibrations
- ✓ Mixer position engineered case by case based on to different water levels
- ✓ Mixer flow pattern does not disturb aerator and decanter
- ✓ Mixer flow pattern ensures a non turbulent water surface, thus no oxygen transfer in mixing Phases, and allows a rapid calm down of the basin volume after shut down, to enable a fast settling of the sludge and a shorter decanting phase
- ✓ Low horizontal spray pattern ensures very low aerosol levels
- ✓ High reliability and simple installation