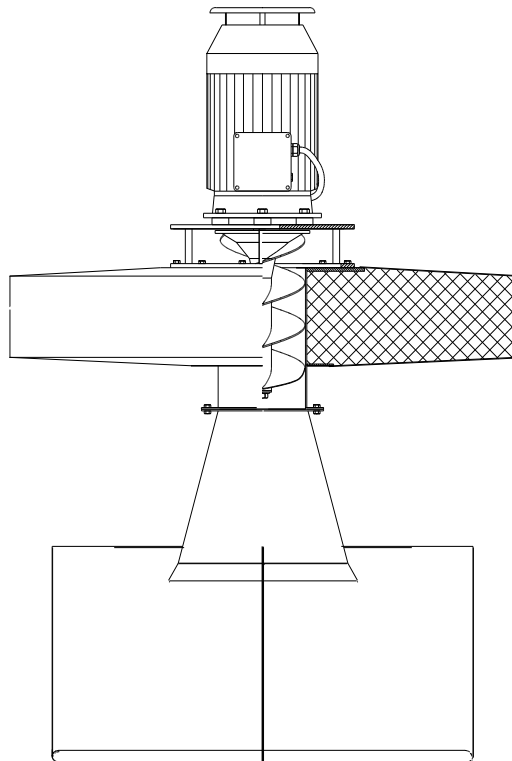


# AQUATURBO SYSTEMS, INC.

## AQUA TURBO<sup>®</sup> SURFACE AERATOR

The AQUA TURBO<sup>®</sup> Model AER Surface Aerator offers high aeration performance by means of a very simple design. Inspired by the Archimedes' screw principal, the unique ScrewPELLER<sup>™</sup> impeller is the heart of the aerator. Different from any other impeller on the market, the ScrewPELLER<sup>™</sup> maximizes flow while it simultaneously optimizes the discharge pattern. Consequently, less power is required for a given process need.

How? The ScrewPELLER<sup>™</sup> acts as a volumetric pump. Its efficient pumping action pumps the liquid up to the rotating diffusion head. The liquid is then discharged at the surface in a very flat, high velocity spray. This high velocity spray creates maximum surface contact area and water turbulence which results in the highest possible oxygen transfer and mixing performance.



Because of the inherent stability and long life of the ScrewPELLER<sup>™</sup>, vibration and bearing thrust are minimized. The result is smooth operation and low maintenance costs. Because of the extremely simple design, there are no complex parts or costly maintenance procedures.

The AQUA TURBO<sup>®</sup> Surface Aerator does not have to be taken out of the water for the only maintenance procedure required - annual motor bearing grease.

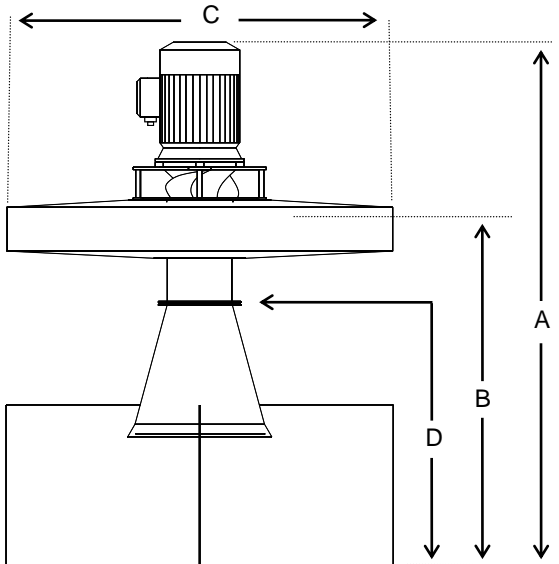
Quality built of stainless steel, the AQUA TURBO<sup>®</sup> Surface Aerator's center of gravity is below the water line, assuring complete stability.

Available in a wide range of motor horsepower sizes, from ½hp to more than 200hp, it is also very flexible for use in a wide range of basin configurations and depths.

***As you plan your next aeration system, take a look at the AQUA TURBO<sup>®</sup> Surface Aerator ... you'll be glad you did.***



# The AQUA TURBO<sup>®</sup> Surface Aerator...



The Intake/ConeCross assembly (D), as shown above, can be customized for a variety of applications:

- Deep Basins or Lagoons
- Shallow Basins or Lagoons
- Sloped Sided Basins or Lagoons
- Oxidation Ditches

AERATOR DATA						
Model	HP	Total Height (A)	Submerged Height (B)	Float Diameter (C)	Intake/ Cone Cross Height (D)	Weight (lbs)
<b>Series 30 - 1800RPM</b>						
0075-30	1	45	30.7	39	20	207
0110-30	1.5	48	32.3	39	22	220
0150-30	2	49	33.5	39	22	236
0220-30	3	55	36.2	39	24	276
0400-30	5	66	45.7	39	31	375
0550-30	7.5	74	52	49	36	485
0750-30	10	79	55.1	49	44	529
1100-30	15	93	65.7	59	51	761
1500-30	20	102	73.2	59	56	849
1850-30	25	104	73.6	79	56	1069
2200-30	30	108	74.4	79	59	1124
3000-30	40	115	77.0	79	62	1205
<b>Series 20 - 1200RPM</b>						
0750-20	10	87	58.7	59	40	838
1100-20	15	95	65	59	44	948
1500-20	20	98	65.7	79	45	1279
1850-20	25	104	68.5	79	48	1543
2200-20	30	107	70.5	79	49	1631
3000-20	40	121	81.1	94	59	2116
3700-20	50	131	88.2	94	65	2425
4500-20	60	135	90.2	94	67	2888
5500-20	75	141	94.1	94	69	3108
7500-20	100	153	98	94	74	4034
<b>Series 15 - 900RPM</b>						
3700-15	50	139	92.9	94	65	3351
4500-15	60	145	97.2	94	68	3726
5500-15	75	176	120.1	118	91	5401
7500-15	100	190	131.5	118	95	5776
9000-15	125	185	127.6	118	98	6085
11000-15	150	195	132.7	118	99	6526
15000-15	200	206	139.4	138	105	9171

The AQUA TURBO<sup>®</sup> Surface Aerator is very easy to install. Positioning can be achieved with mooring cables, bottom anchors, vertical mooring posts and pivoting mooring arms for water level variances and fixed for bridge mount installations.

All dimensions are in inches. The above dimensions are approximate for Standard Aerators. Please contact factory for custom options and dimensions.

